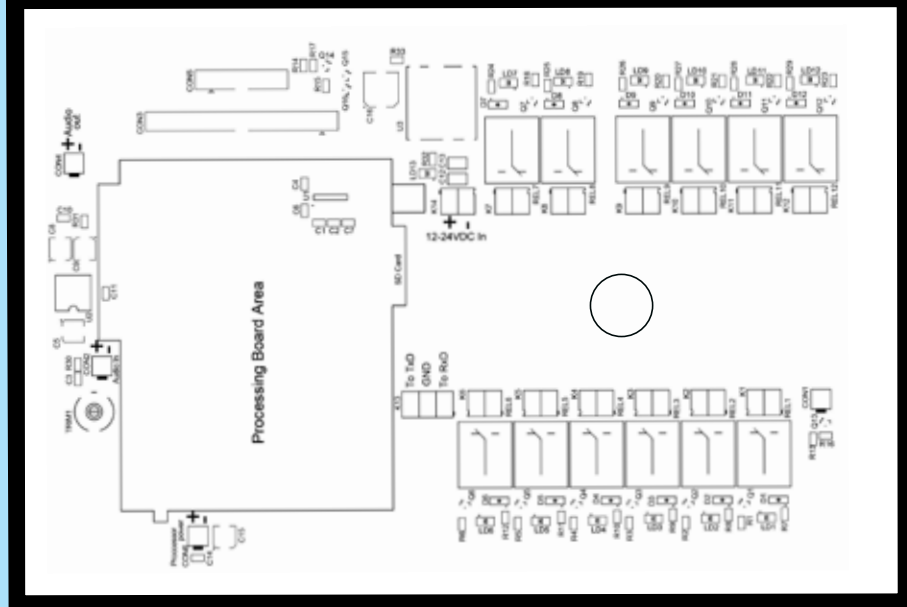


This procedure is divided in 4 simple steps.

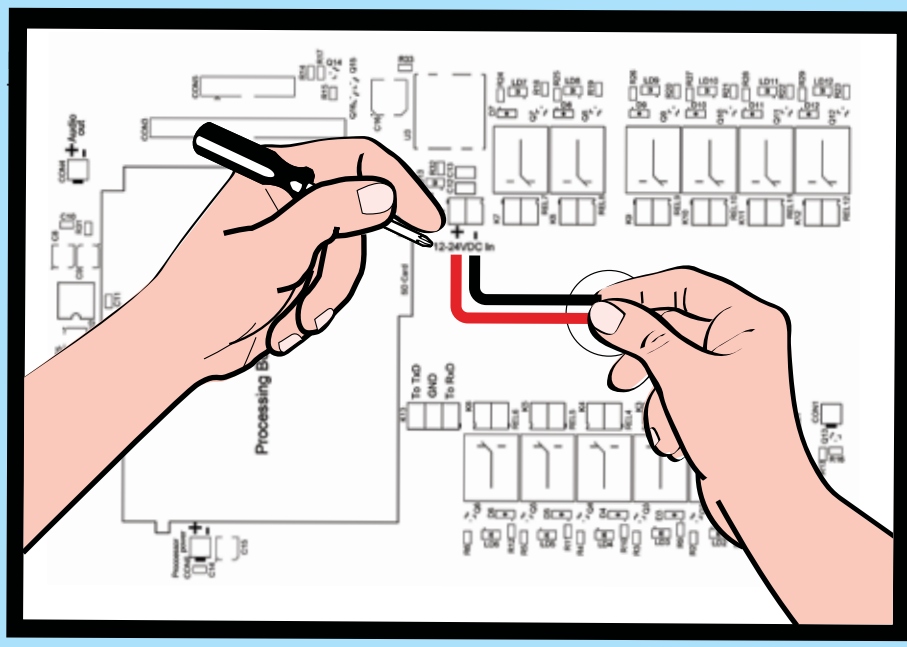
2.1 Starting point



[figure 1_Box]

Figure 1 represents the Box including the platform of talk2lift®. This will be our starting point.

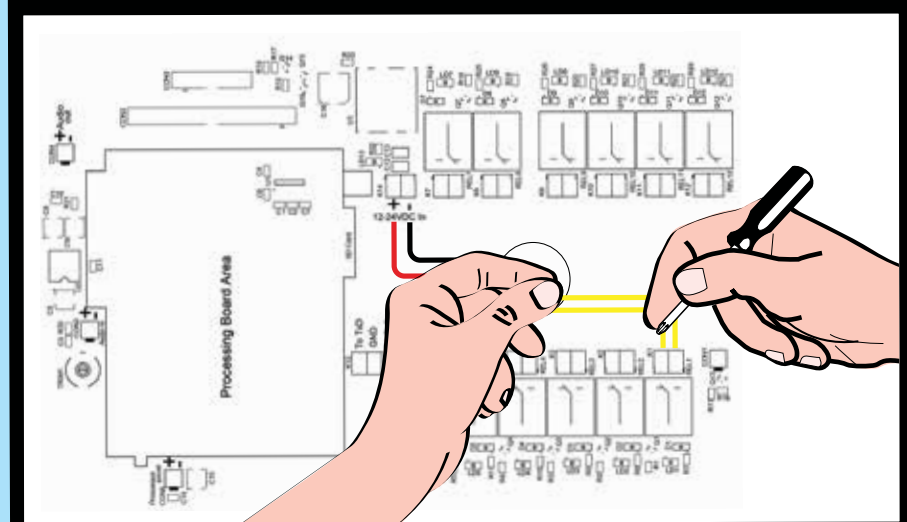
2.1.1 Step one



[figure 2_Connecting cables]

For the power supply please connect the black cable to the 24 VDC slot (-) and the red one to the 24 VDC slot (+) as it is showed in the picture above (figure 2).

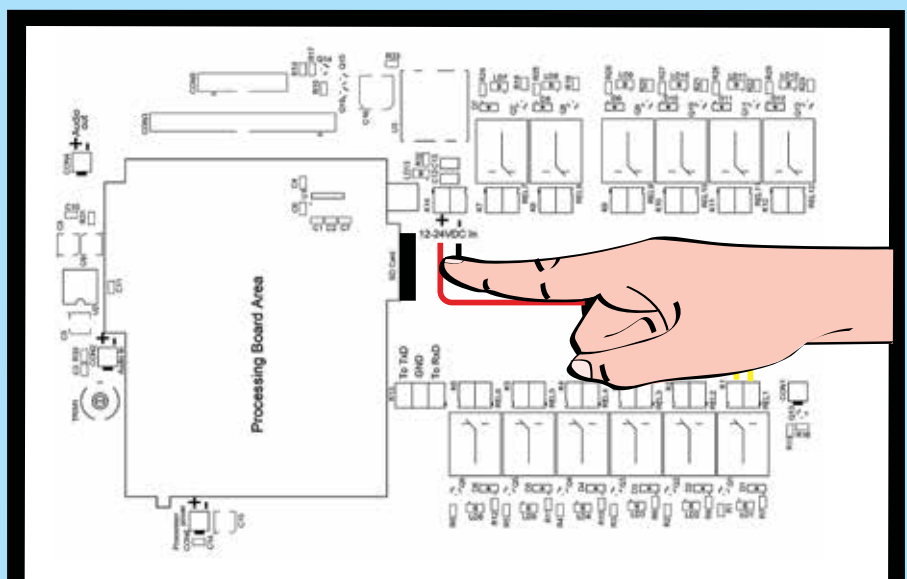
2.1.2 Step two



[figure 3_Yellow cables]

Connect the two yellow cables to the K1 Rel1 that is on the left bottom site of the platform in the same way you have connected the red and the black cable in the previous step (figure 3) and REL correspond to the floors of the building. For example, if the building has two floors (basement and first floor) then REL1 corresponds to the basement and REL2 to the first floor. The yellow cables connect in parallel to the existing buttons in order to simulate the button presses. The device provides 12 onboard relays. If the elevator has more than 12 levels, then an expansion with up to 32 extra relays will be provided.

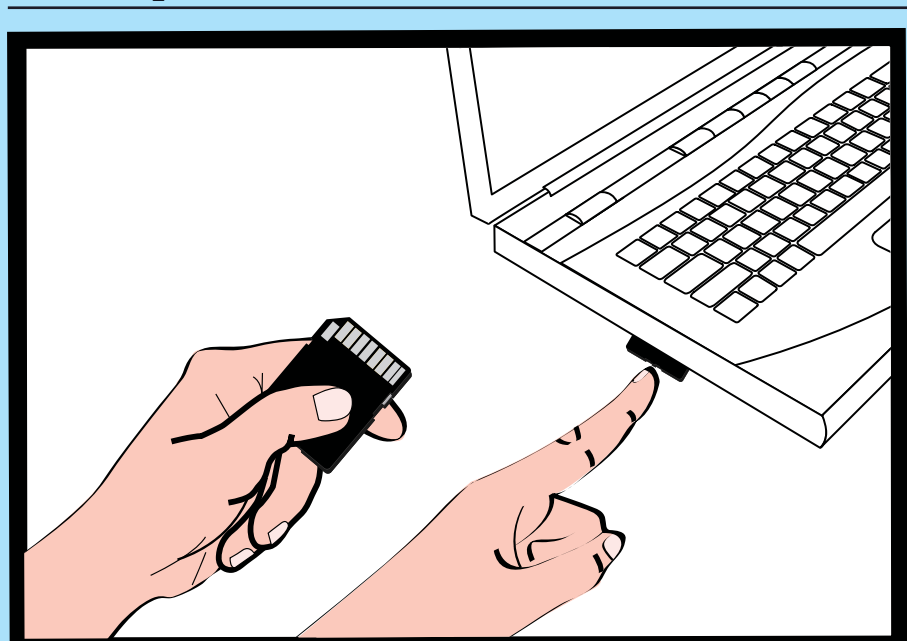
2.1.3 Step three



[figure 4-Remove SD card]

Please remove the SD card in order to configure the system with the user's data.

2.1.4 Step four



[figure 5_Configure SD card]

Insert the SD card into the SD card reader and connect the card reader, to your computer. A window will pop-up. Please run the "install.exe". Provide the necessary data to proceed. Since you have completed this step simply remove the SD card reader and set the SD card into the talk2lift® device. The device will be automatically updated with the information that the user has provided. The system is now ready for use and is waiting for the voice commands.

3 Support

For more information please contact:
Sales: sales@talk2lift.com
Product Support: support@talk2lift.com